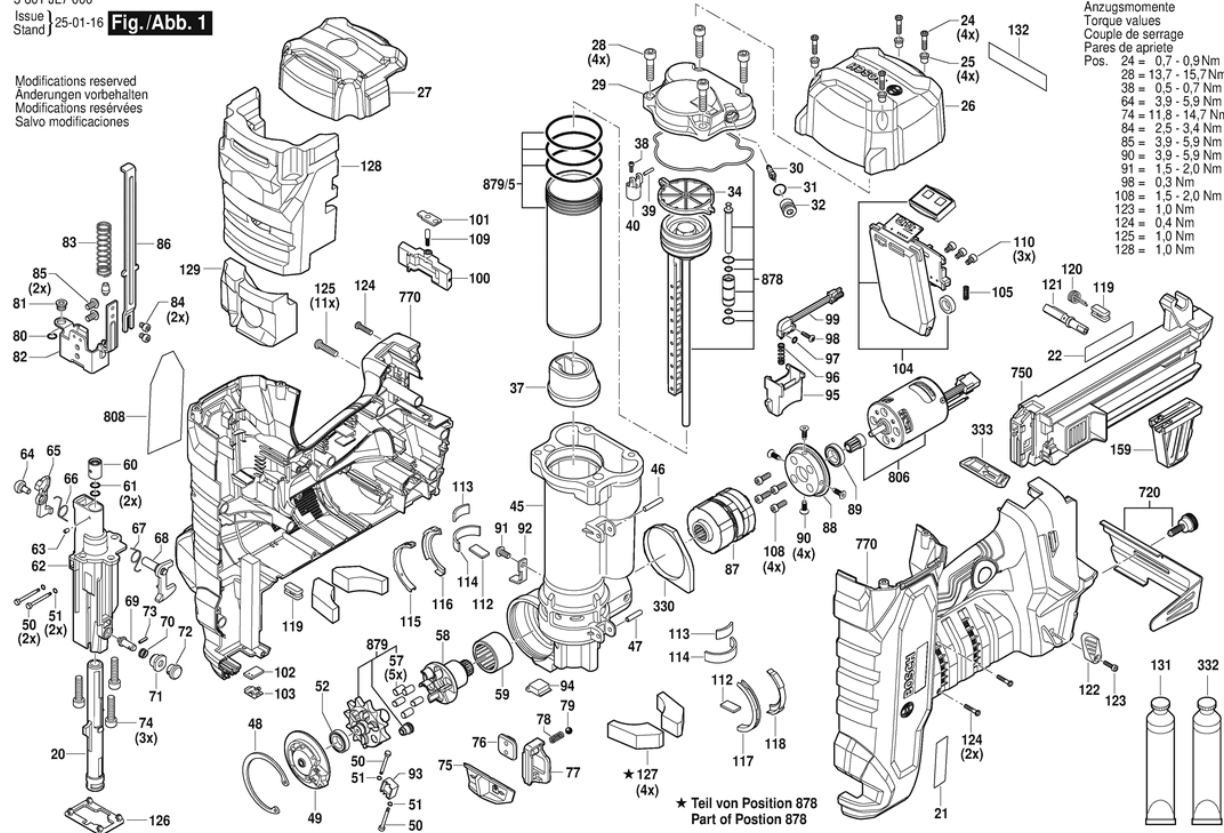


Illustration - Type - E

3 601 JL7 000
 Issue | 25-01-16
 Stand | **Fig./Abb. 1**

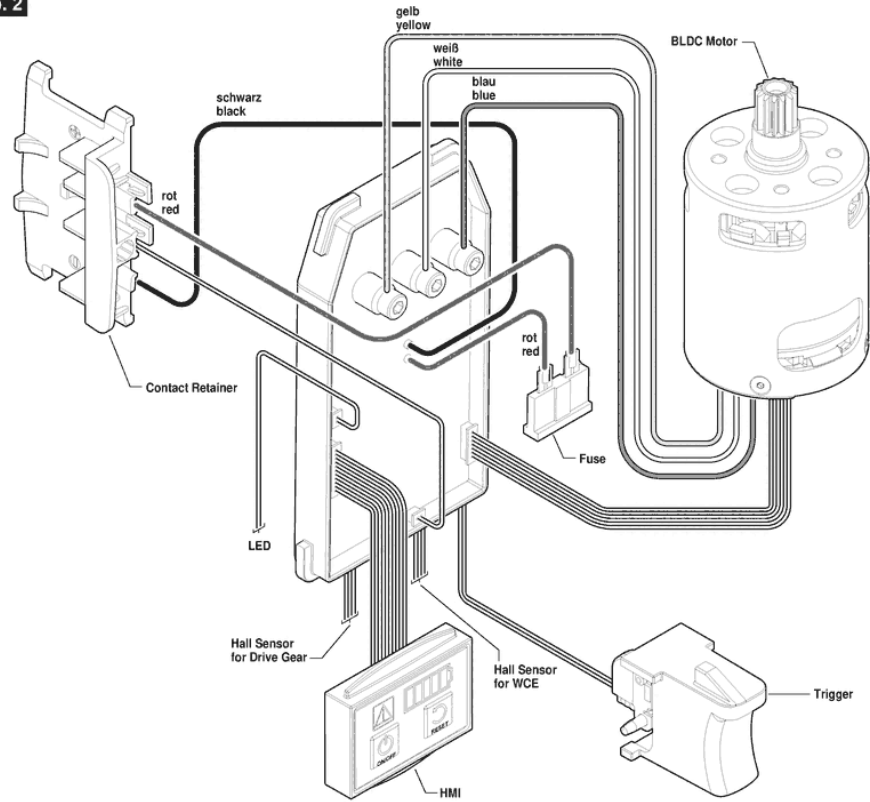
Modifications reserved
 Änderungen vorbehalten
 Modifications réservées
 Salvo modificaciones



Pos.	Anzugsmomente Torque values Couple de serrage Pares de apriete
24	= 0,7 - 0,9 Nm
28	= 13,7 - 15,7 Nm
38	= 0,5 - 0,7 Nm
64	= 3,9 - 5,9 Nm
74	= 11,8 - 14,7 Nm
84	= 2,5 - 3,4 Nm
85	= 3,9 - 5,9 Nm
90	= 3,9 - 5,9 Nm
91	= 1,5 - 2,0 Nm
98	= 0,3 Nm
108	= 1,5 - 2,0 Nm
123	= 1,0 Nm
124	= 0,4 Nm
125	= 1,0 Nm
128	= 1,0 Nm

Illustration - Type - E

3 601 JL7 000
 Issue | 23-10-03
 Stand | **Fig./Abb. 2**



Modifications reserved
 Änderungen vorbehalten
 Modifications réservées
 Salvo modificaciones

Spare parts list

Item	Part Number	Description	Illustration
20	1 600 A02 HL3	Safety Lever	1
21	1 601 11A 9ZM	Nameplate	1
22	1 600 A02 LK8	Warning Label	1
25	1 600 A02 HD9	Washer	1
26	1 605 500 2L0	Cover	1
27	1 600 A02 HE0	Supporting Foam	1
28	1 600 A02 HE1	Hex Socket Head Cap Screw	1
29	1 600 A02 HE2	Cylinder Cover	1
30	1 600 A02 HE3	Charge Valve	1
31	1 600 210 0AW	O-Ring	1
32	1 600 A02 HE4	Screw Plug	1
34	1 600 A02 HE8	Isolating Valve	1
37	1 600 A02 HG5	Bumper	1
38	1 603 435 09T	Hex Screw	1
39	1 600 A02 HG6	Pivot Pin	1
40	1 600 A02 HG7	Support	1
45	1 605 806 6GY	Housing	1
46	1 600 A02 HH0	Pivot Pin	1
47	1 600 A02 HH1	Slotted Spring Pin	1
48	1 600 150 045	Spring retaining ring	1
49	1 600 A02 HH2	Gear Cover	1
50	1 600 A02 HH3	Retaining Pin	1
51	1 600 210 0B0	O-Ring	1
52	1 600 900 0AJ	Ball Bearing	1
57	1 600 A02 HH8	Bumper	1
58	1 600 A02 HH4	Spindle With Gear	1
59	1 600 A02 HH9	Needle bearing	1
60	1 600 A02 HJ0	Guide Bushing	1
61	1 600 210 0B1	O-Ring	1
62	1 600 A02 HJ1	Nose	1
63	1 600 A02 HJ2	Spring Pin	1
64	1 603 435 09U	Hex Screw	1
65	1 600 A02 HJ3	Stop Latch	1
66	1 600 A02 HJ4	Torsion Spring	1
67	1 600 A02 HJ5	Torsion Spring	1

Spare parts list

Item	Part Number	Description	Illustration
68	1 600 A02 HJ6	Stop Latch	1
69	1 600 A02 HJ7	Retention knob	1
70	1 600 A02 HJ8	Spring	1
71	1 600 A02 HJ9	Actuator spring retainer	1
72	1 600 A02 HK0	End cap	1
73	1 600 A02 HK1	Rubber Buffer	1
74	1 603 435 09V	Hex Screw	1
75	1 600 A02 HK2	Adjusting Slide	1
76	1 600 A02 HK3	Detent plate	1
77	1 600 A02 HK4	Adjusting Slide	1
78	1 600 A02 HK5	Spring	1
79	1 600 A02 HK6	Ball	1
80	1 600 210 0B2	O-Ring	1
81	1 600 A02 HK7	Magnet Assembly	1
82	1 600 A02 HK8	Safety Lever	1
83	1 600 A02 HL0	Spring	1
84	1 600 A02 HL1	Hex Socket Head Cap Screw	1
85	1 600 A02 HL2	Hex Socket Button Screw	1
86	1 600 A02 HK9	Safety Device	1
87	1 600 A02 HL5	Planetary Gear Train	1
88	1 600 A02 HL6	Adapter Plate	1
89	1 600 900 0AK	Ball Bearing	1
90	1 600 A02 HL7	Torx Screw	1
91	1 600 A02 J1W	Hex Socket Button Screw	1
92	1 600 A02 J1X	Cable Bracket	1
93	1 600 A02 HL8	Hall Sensor	1
94	1 600 A02 HL9	Hall Sensor	1
95	1 600 A02 HM0	Trigger	1
96	1 600 A02 HM1	Spring	1
97	1 600 210 0B3	O-Ring	1
98	1 600 A02 HM3	self-tapping screw	1
99	2 607 202 769	Switch	1
100	1 600 A02 HM4	Locking Lever	1
101	1 600 A02 HM5	Detent plate	1
102	1 600 A02 HM6	LED lighting	1

Spare parts list

Item	Part Number	Description	Illustration
103	1 600 A02 HM7	Lens	1
104	1 600 A02 G8F	Electronics Module	1
105	1 600 A02 HP2	Spring	1
108	1 600 A02 HP5	Hex Socket Head Cap Screw	1
109	1 603 123 085	Detent Pin	1
110	1 600 A02 J1Y	Hex Socket Head Cap Screw	1
112	1 600 A02 HP7	Rubber Buffer	1
113	1 600 A02 HP8	Rubber Buffer	1
114	1 600 A02 HP9	Rubber Buffer	1
115	1 600 A02 HR0	Rubber Buffer	1
116	1 600 A02 HR1	Rubber Buffer	1
117	1 600 A02 HR2	Rubber Buffer	1
118	1 600 A02 HR3	Rubber Buffer	1
119	1 600 A02 HR4	Rubber Buffer	1
120	1 600 A02 HR5	Torsion Spring	1
121	1 600 A02 HR6	Pivot Shaft	1
122	1 600 A02 HR7	Release Lever	1
123	1 600 A02 HR8	Hex Socket Head Cap Screw	1
124	1 600 A02 HS0	self-tapping screw	1
125	1 603 430 0BF	Tapping Screw	1
126	1 600 A02 J1Z	Dust-Protection Cover	1
127	1 600 A02 HS2	Air Filter	1
128	1 600 A02 HS3	Supporting Foam	1
129	1 600 A02 HS4	Supporting Foam	1
130	1 600 A02 HS5	Mounting Plate	1
131	2 610 005 257	Grease	1
132	1 600 A02 JD6	Warning Label	1
159	1 600 A02 HT9	Supporting foot	1
330	1 600 A02 U8T	Air Filter	1
332	6 082 801 OCA	Grease	1
333	1 600 A02 U8S	Stopping Pin	1
720	1 600 A03 6MM	Hook	1
750	1 600 A02 K00	nail cartridge	1
770	1 605 806 6HX	Housing	1
806	1 605 A00 2BP	Motor assembly	1

Spare parts list

Item	Part Number	Description	Illustration
808	1 600 A03 03R	Type Label	1
878	1 607 000 F3C	Piston assembly	1
879	1 607 000 F3D	Toothed Gear	1
879/5	1 600 A02 W49	Cylinder	1